

PCIe-4LHOTLinkx5-SMB
PCIe Based Single Port HOTLink®
Interface

Dynamic Engineering
150 DuBois St., Suite B/C
Santa Cruz, CA 95060
(831) 457-8891

©2022 by Dynamic Engineering
Other trademarks and registered trademarks are
owned by their respective manufacturers.

This document contains information of proprietary interest to Dynamic Engineering. It has been supplied in confidence and the recipient, by accepting this material, agrees that the subject matter will not be copied or reproduced, in whole or in part, nor its contents revealed in any manner or to any person except to meet the purpose for which it was delivered.

Dynamic Engineering has made every effort to ensure that this manual is accurate and complete. Still, the company reserves the right to make improvements or changes in the product described in this document at any time and without notice. Furthermore, Dynamic Engineering assumes no liability arising out of the application or use of the device described herein.

The electronic equipment described herein generates, uses, and can radiate radio frequency energy. Operation of this equipment in a residential area is likely to cause radio interference, in which case the user, at his own expense, will be required to take whatever measures may be required to correct the interference.

Dynamic Engineering's products are not authorized for use as critical components in life support devices or systems without the express written approval of the president of Dynamic Engineering.

Connection of incompatible hardware is likely to cause serious damage.



Table of Contents

PRODUCT DESCRIPTION	6
THEORY OF OPERATION	8
PROGRAMMING	11
ADDRESS MAP	12
Register Definitions	13
PHLNK_BASE_CNTRL	13
PHLNK_BASE_USER_INFO	14
Flash Revision Table	14
PHLNK_BASE_INT_STATUS	15
PHLNK_BASE_PLL_FIFO	16
PHLNK_BASE_CNT_CNTRL	17
PHLNK_BASE_START/TRIGGER/END_COUNT	18
PHLNK_BASE_CNTL	18
PHLNK_CHAN_CNTRL	19
PHLNK_CHAN_STATUS	24
PHLNK_CHAN_FIFO	27
PHLNK_CHAN_WR_DMA_PNTR	28
PHLNK_CHAN_TX_FIFO_COUNT	28
PHLNK_CHAN_RD_DMA_PNTR	29
PHLNK_CHAN_RX_FIFO_COUNT	29
PHLNK_CHAN_TX_AMT	30
PHLNK_CHAN_RX_AFL	30
PHLNK_CHAN_START_SEQ	31
PHLNK_CHAN_STOP_SEQ	32
PHLNK_CHAN_BYTE_COUNT	32
PHLNK_CHAN_FRM_SPCR	33
PHLNK_CHAN_BIP	33
PHLNK_CHAN_BOP	34
PHLNK_CHAN_Status_II	34
PHLNK_CHAN_CNTL	35
SMB CONNECTORS	35
APPLICATIONS GUIDE	36

Interfacing	36
Construction and Reliability	37
Thermal Considerations	37
WARRANTY AND REPAIR	38
Service Policy	38
Out of Warranty Repairs	38
For Service Contact:	38
SPECIFICATIONS	39
ORDER INFORMATION	40

List of Figures

FIGURE 1	PCIE4LHOTLINK-SMB BLOCK DIAGRAM	6
FIGURE 2	PCIE-HOTLINK TEST VIDEO FRAME	10
FIGURE 3	PCIE4LHOTLINKX5 ADDRESS MAP	12
FIGURE 4	PCIE-HOTLINK BASE CONTROL REGISTER	13
FIGURE 5	PCIE-HOTLINK BASE STATUS PORT	14
FIGURE 6	PCIE-HOTLINK BASE STATUS PORT	15
FIGURE 7	PCIE-HOTLINK BASE PLL FIFO PORT	16
FIGURE 8	PCIE-HOTLINK COUNTER CONTROL REGISTER	17
FIGURE 9	PCIE-HOTLINK BASE COUNT REGISTERS	18
FIGURE 10	PCIE-HOTLINK BASE MASTER INTERRUPT	18
FIGURE 11	PCIE-HOTLINK CHANNEL CONTROL REGISTER	19
FIGURE 12	PCIE-HOTLINK CHANNEL STATUS REGISTER	24
FIGURE 13	PCIE-HOTLINK CHANNEL RX/TX FIFO PORT	27
FIGURE 14	PCIE-HOTLINK CHANNEL WRITE DMA POINTER PORT	28
FIGURE 15	PCIE-HOTLINK CHANNEL TX FIFO DATA COUNT PORT	28
FIGURE 16	PCIE-HOTLINK CHANNEL READ DMA POINTER PORT	29
FIGURE 17	PCIE-HOTLINK CHANNEL RX FIFO DATA COUNT PORT	29
FIGURE 18	PCIE-HOTLINK CHANNEL TX FIFO AMT LEVEL REGISTER	30
FIGURE 19	PCIE-HOTLINK CHANNEL RX AFL LEVEL REGISTER	30
FIGURE 20	PCIE-HOTLINK CHANNEL START SEQUENCE REGISTER	31
FIGURE 21	PCIE-HOTLINK CHANNEL STOP SEQUENCE REGISTER	32
FIGURE 22	PCIE-HOTLINK CHANNEL BYTE COUNT REGISTER	32
FIGURE 23	PCIE-HOTLINK CHANNEL FRAME SPACER COUNT REGISTER	33
FIGURE 24	PCIE-HOTLINK CHANNEL BURST IN POINTER	33
FIGURE 25	PCIE-HOTLINK CHANNEL BURST OUT POINTER	34
FIGURE 26	PCIE-HOTLINK CHANNEL STATUS II	34
FIGURE 27	PCIE-HOTLINK CHANNEL CONTROL B REGISTER	35

Product Description

PCIe4LHOTLink-SMB is part of the PCIe family of I/O components by Dynamic Engineering. It features the Cypress Semiconductor CY7B923/CY7B933 HOTLink® Transmitter/Receiver pair. The HOTLink devices use positive emitter-coupled logic (PECL) data inputs and outputs. These can be AC coupled or translated to LVDS before being connected to the I/O. See the block diagram below:

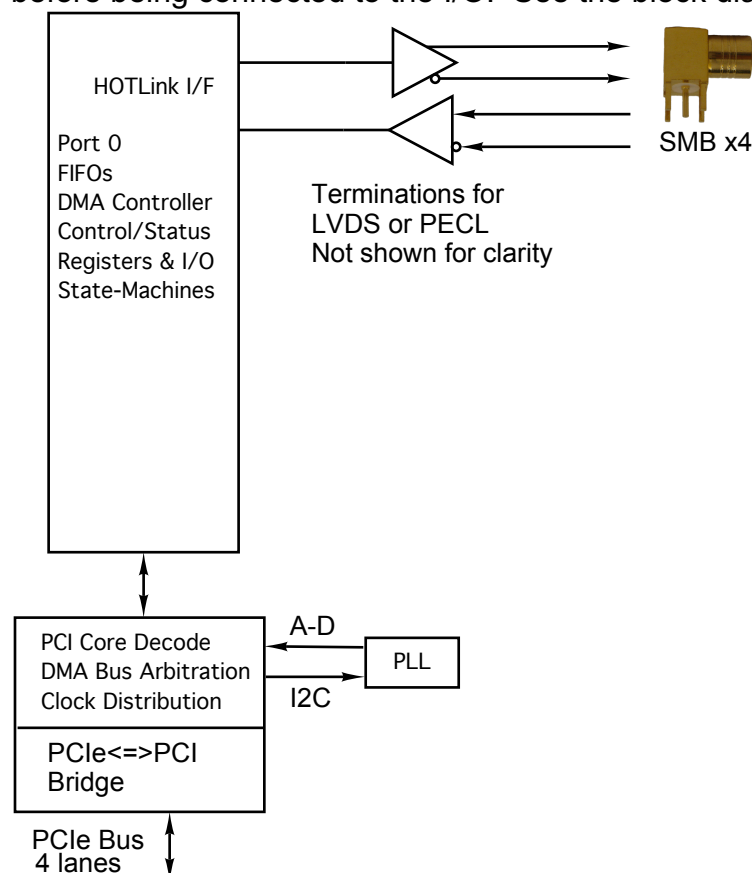


FIGURE 1

PCIE4LHOTLINK-SMB BLOCK DIAGRAM

The current SMB design is a special option built on PCIe4LHOTLinkx5. The following describes the fully populated version of the PCB. Up to five independent HOTLink ports are per card. Each HOTLink port has two differential I/O signal pairs that can use either LVDS or PECL as a build option. When LVDS signaling is used, the input is connected across an equivalent 100 Ω shunt termination. The differential signals are then AC-coupled into the HOTLink receiver inputs \Leftrightarrow referenced to 3.5 volts. The HOTLink differential output signals are biased to 3.3 volts and connected to a PECL-to-LVDS converter. When PECL signaling is used, each side of the differential input is terminated with 50 Ω to an equivalent 1.8 volts and then AC-coupled with 1000 pf to the

HOTLink receiver ⇔ referenced to 3.5 volts. The HOTLink differential output signals are biased to about 3 volts and AC-coupled with 1000 pf to the connector. A single-ended on-board signal-path is also provided between each channel's HOTLink transmitter and receiver for built-in test capability.

Channels 0-3 are configured for half-duplex operation with high-speed multiplexors determining if the transmitter or receiver is connected to the I/O connector. Channels 4 and 5 are configured for full-duplex operation; both the receiver and the transmitter are always connected to the I/O connector.

The **SMB** build uses port 4 attached to the SMB connectors and reassigned to port 0. The memory usually assigned to the 5 ports is allocated to the single port with 256K bytes per direction [Tx and Rx].

The transmit byte-rate is determined by the programmed frequency of the PLL A clock output. This clock must be in the range of 16 to 32 MHz; it is multiplied by ten within HOTLink transmitter which serializes and sends the transmitter byte-wide data-stream after expansion to 10 bits by the transmitter's internal 8B/10B encoder. The PLL is programmed via software by a logic block in the FPGA which generates the waveform timing for the I²C interface to the device. Forty bytes or ten long-words are needed to program or read the PLL device.

The multi-port design allows selected channels to be synchronized so that they start transmitting data concurrently. A 20-bit counter running at a one MHz rate generates a trigger pulse to start the transmission. A start count register holds a count that can be used to initialize the counter. A trigger count register holds a count that generates the trigger when reached. An end count register holds a count that causes the counter to be re-initialized to the start count or alternatively to be cleared to zero. A bit in the channel control register selectively enables this feature for each channel. *This feature is retained in the SMB design.*

The FIFOs can be accessed by single-word read/writes as well as DMA burst transfers. The transmit FIFO supports write accesses, and the receive FIFO supports read accesses. When the FIFO test bit in the port control register is set; data is routed from the transmit FIFO to the receive FIFO for a full 32-bit path. This mode is used for loop-back testing of the FIFOs.

The HOTLink board supports various interrupts. An interrupt can be configured to occur when the transmit FIFO is almost empty or the receive FIFO is almost full as well as other events and error conditions. All interrupt conditions can be individually masked and a channel master interrupt enable is provided to disable all interrupts on the channel simultaneously. The current real-time status is always available making it also possible to operate in polled mode.

Theory of Operation

PCIe4LHOTLinkx5-SMB features a Xilinx Spartan-6-LX100 FPGA. The FPGA contains the PCI interface, all of the registers, FIFOs and protocol controlling elements for the HOTLink design.

A logic block within the FPGA controls the PCI interface to the onboard PCI-to-PCIe Bridge. The HOTLink design requires one wait state for read or writes cycles to any address. The wait states refer to the number of clocks after the PCI core decode before the “terminate with data” state is reached. Two additional clock periods account for the 1 clock delay to decode the signals from the PCI bus and to convert the terminate-with-data state into the TRDY signal. The PCI bus clock has been increased to 50 MHz to improve the data throughput.

Two 32 by 32-bit FIFOs are used to buffer data into and out of the PLL. Once the data has been written into the input FIFO, the programmer is enabled and the FPGA generates the proper signal timing according to the I²C and PLL device specifications. When a read of the PLL is requested, the proper signal timing for that operation is generated and the data written to the output FIFO.

Scatter-gather bus-master DMA is provided for in this design. Once the physical address of the first chaining descriptor is written to the DMA pointer register, the interface will read a 12-byte block from this location. The first four bytes comprise the physical address of the first block of the IO buffer passed to the read or write call. The next four bytes represent the length, in bytes, of that block. The final four bytes is the physical address of the next chaining descriptor along with two flag bits, in bit position 0 and 1. Bit zero is set to one if this descriptor is the last in the chain. Bit one is the direction bit and is set to one if the transfer is from the HOTLink board to host memory, and zero if the transfer is from memory to the device. All descriptor pointers, including the initial descriptor address written to start the DMA, must have the correct direction bit set. These bits are then substituted with zeros to determine the address of the next descriptor, if there is one. This process continues automatically until the last chaining descriptor in the list is processed.

A PCIe4LHOTLinkx5 channel has both a HOTLink receiver and transmitter ports. The transmitter is connected to the receiver input B by an always-on internal link from transmitter output C. Transmitter output A and Receiver input A are used for normal operation. SW can configure internal loop-back or external [normal] operation. I/O signals can be externally connected for a full loopback test of the entire circuit.

Each channel’s input and output DMA engines interface with the channel’s HOTLink transmit and receive FIFOs respectively.



A control bit in the channel configuration register can be set to cause data written to the transmit FIFO to be immediately transferred to the receive FIFO where it can be read and verified to test the input and output FIFOs.

There are three storage modes used to write HOTLink data to the receive FIFO. In data-only mode all control characters are stripped from the data-stream and the received HOTLink data (bits 7-0) are written as long-words to the receive FIFO. The first byte received is loaded into byte position zero (bits 7-0), the second byte goes in byte one (bits 15-8) and so on. *If the receiver is disabled when a long-word has not been completed, the remaining unfilled bytes are set to zero and the long-word is written to the receiver FIFO.*

The other two data storage modes store control characters as well as data. The store-all mode stores all received characters, both data and control. This mode uses 10 bits per character, storing the control/data bit (bit 8) and the symbol violation bit (bit 9). In this mode there are only three bytes per long-word. Byte 0 is stored in bits 9-0, byte 1 is stored in bits 19-10, and byte 2 is stored in bits (29-20). Bits 30 and 31 are not used and are set to zero.

In the compact storage mode the same byte-to-bit mapping is used as the store-all mode, but while all data characters are stored, control characters are only stored if they differ from the character just received. Repeated received control characters are compacted to a single stored control character.

Programmable start and stop sequences of up to three characters and a byte count of up to 16 Mbytes can be specified to control the transmission of messages. The characters of the start sequence are prepended to the message data. After the specified number of bytes have been transmitted, the characters of the stop sequence are sent. See figures 17 and 18 for the details of these sequences. Character 0 is the first character sent or received in both the start and stop sequence, followed by character 1 and 2 as appropriate depending on the character count. The sequence characters can be any data character (control character/data select set to zero, byte set to 0-255) or control characters K28.0-K28.6, K23.7, K27.7, K29.7 or K30.7 (control character/data select set to one, byte set to 0-6, or 8-11). K28.7 transmits a deliberate code violation, so it cannot be used.

The HOTLink transmitter data is always stored four bytes to a long-word. The transmitter reads long-words from the transmit FIFO and sends byte zero (least significant) first followed by byte one, byte two and finally byte three. A transmit channel group sync function was added with the rev. C design. There are now four transmit modes, one video frame mode and three streaming modes.

They are selected by the existing Transmit Mode Select (bit 12) and a new channel control bit, Group Start Enable (bit 31). When both bits are low, the transmitter sends a video frame as described below; when the mode bit is high and the group start bit is low, the independent channel streaming mode is enabled. Two streaming modes are implemented; when the group start bit is high and the mode bit is low, the initial frame is synched to the group start trigger; when both bits are high, all frames are synched to this trigger. The streaming modes send only data characters, aside from the start and stop sequences. As long as data is present in the transmit FIFO and the transmitter is enabled and optionally synched, data-frames will be sent. The video-frame mode replicates a typical target video-frame that is used for test purposes. See the description of the channel control register for information on how to select these different modes. The test video frame is described in figure 2 below:

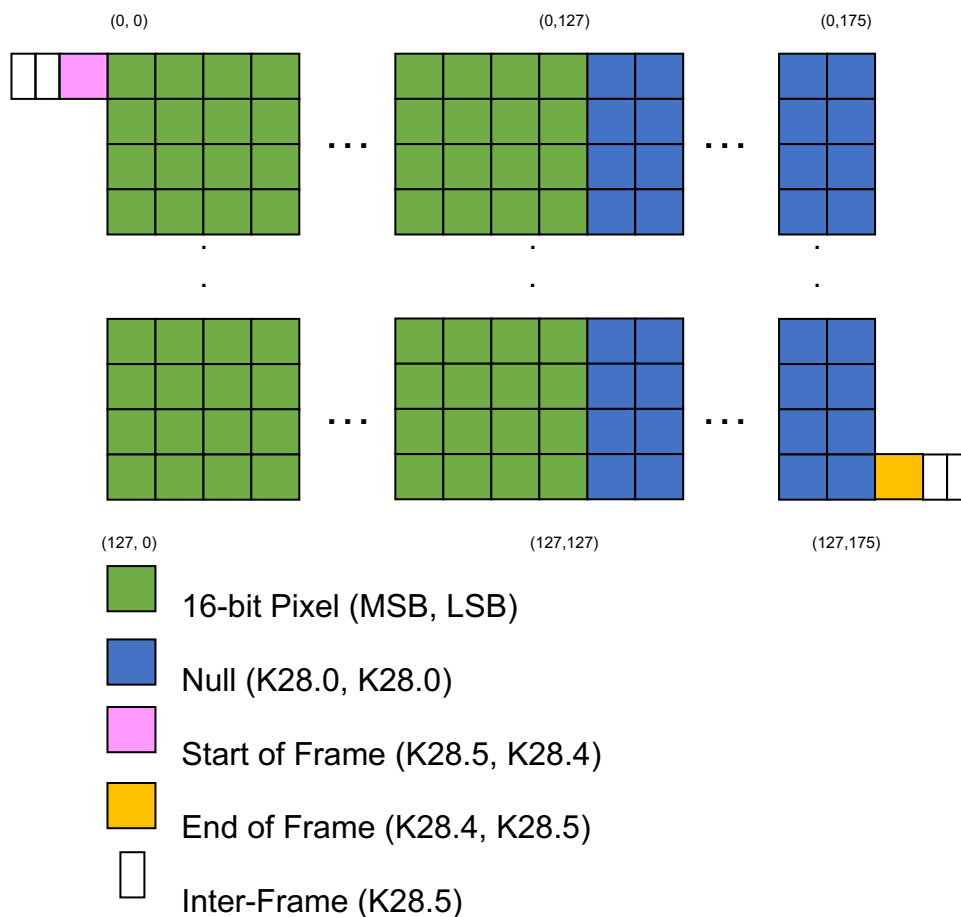


FIGURE 2

PCIE-HOTLINK TEST VIDEO FRAME

Programming

Programming the PCIe4LHOTLinkx5-SMB design requires only the ability to read and write data from the host. The base address is determined during system configuration of the PCI/PCIe subsystem. The base address refers to the first user address for the slot in which the board is installed. The VendorId = 0xDCBA. The CardId = 0x0075.

If DMA is to be used it will be necessary to acquire a block of non-paged memory accessible from the PCI bus to store chaining descriptor list entries. If the Dynamic Engineering device driver is used, the driver will handle all the DMA internal mechanics automatically.

In order to transmit or receive HOTLink data, the PLL must be programmed to the desired clock configuration. The PLL is connected to the Xilinx by an I²C serial bus and its internal registers are loaded with 40 bytes of data that can be derived from a .jed file generated by the CyberClock utility from Cypress semiconductor <http://www.dyneng.com/CyberClocks.zip>. If you are using our driver, the PLL will be programmed to the default frequency settings when the driver initializes and can be read or re-programmed by an IOCTL call to the base driver.

Routines to use these calls to read and program the PLL are included in the UserApp code provided in the engineering kit for the board. If you are writing your own driver, contact Dynamic Engineering and we can send you a file with code excerpts from our driver and test software that cover each step of the process from parsing the .jed file to controlling the logic that drives the I²C bus. The PLL rate is the parallel data rate. The line rate is 10x the PLL programmed rate. For example 20 MHz => 200 MHz for the serial HOTLink data.

Once the relevant enables and configuration options are set, the board will wait to receive HOTLink data and store it in a 16K by 32-bit FIFO. The FIFO almost full level is programmable to whatever level is desired and once that level is reached, an interrupt will be asserted if it has been enabled. The data can then be read from the FIFO using DMA in an efficient manner.

The receive FIFO almost full and transmit FIFO almost empty levels can also be used to control DMA channel preemption. When the receive or transmit preemption control bit is enabled, and the transmit FIFO is almost empty or the receive FIFO is almost full, other channels will be forced to relinquish the PCI bus so that the preempting channel can relieve the backlog.

The HOTLink receiver will continue to receive and store characters as long as it is enabled and there remains room in the receive FIFO. When the receiver is disabled, if less than four bytes have been received since the last FIFO write, the last partial word will be written to the FIFO with the unfilled bytes loaded with zeros.



Address Map

<u>Register Name</u>	<u>Offset</u>	<u>Description</u>
PHLNK_BASE_CNTRL	0x0000	// Base Control register
PHLNK_BASE_USER_INFO	0x0004	// Base User Info read port
PHLNK_BASE_INT_STATUS	0x0008	// Base Interrupt Status read port
PHLNK_BASE_PLL_FIFO	0x000C	// Base PLL FIFO port
PHLNK_BASE_CNT_CNTRL	0x0010	// Counter Control register
PHLNK_BASE_START_CNT	0x0014	// Start Count register
PHLNK_BASE_TRIG_CNT	0x0018	// Trigger Count register
PHLNK_BASE_END_CNT	0x001C	// End Count register
PHLNK_BASE_CNTL	0x0020	// Second control register for Master Interrupt Enable
PHLNK_CHAN_CNTRL_0	0x0050	// Port 0 Control register
PHLNK_CHAN_STATUS_0	0x0054	// Port 0 Status register
PHLNK_CHAN_FIFO_0	0x0058	// Port 0 TX/RX FIFOs single word access
PHLNK_CHAN_WR_DMA_PNTR_0	0x005C	// Port 0 Write DMA physical address of descriptor
PHLNK_CHAN_TX_FIFO_COUNT_0	0x005C	// Port 0 Transmit FIFO data count
PHLNK_CHAN_RD_DMA_PNTR_0	0x0060	// Port 0 Read DMA physical address of descriptor
PHLNK_CHAN_RX_FIFO_COUNT_0	0x0060	// Port 0 Receive FIFO data count
PHLNK_CHAN_TX_AMT_0	0x0064	// Port 0 TX almost empty level
PHLNK_CHAN_RX_AFL_0	0x0068	// Port 0 RX almost full level
PHLNK_CHAN_START_SEQ_0	0x006C	// Port 0 Frame start sequence
PHLNK_CHAN_STOP_SEQ_0	0x0070	// Port 0 Frame stop sequence
PHLNK_CHAN_BYTE_COUNT_0	0x0074	// Port 0 Frame byte count
PHLNK_CHAN_FRM_SPACER_0	0x0078	// Port 0 Inter-Frame byte count
PHLNK_CHAN_BIP_POINTER	0x007C	// Port 0 BurstIn Pointer
PHLNK_CHAN_BOP_POINTER	0x0080	// Port 0 BurstOut Pointer
PHLNK_CHAN_STATUS_II	0x0084	// Port 0 Status expansion register
PHLNK_CHAN_CNTL	0x0088	// Port 0 Control expansion register

FIGURE 3

PCIE4LHOTLINKX5 ADDRESS MAP

The -SMB version of PCIe4LHOTLinkx5 has the 4th port remapped to Port 0 as shown above. In addition, the Port offsets now start at x50 to allow for additional Base and Port functionality.

Register Definitions

PHLNK_BASE_CNTRL

[0x000] Base Control (read/write)

Base Control Register	
Data Bit	Description
31-5	Spare
4	PLL Use Alternate ID
3	PLL Check ID
2	PLL Read Enable
1	PLL Reset
0	PLL Enable

FIGURE 4 PCIE-HOTLINK BASE CONTROL REGISTER

All bits are active high and are reset on system power-up or reset, except PLL enable, which defaults to enabled (high) on power-up or reset.

PLL Enable: When this bit is set to a one, the PLL programmer module, used to program and read the PLL, is enabled. When this bit is zero, the PLL programmer is disabled.

PLL Reset: When this bit is set to a one, the PLL programmer will stop processing, if not stopped already, and return to its initial state. When this bit is zero, the PLL programmer is ready to accept control inputs.

PLL Read Enable: When this bit is set to a one and the PLL programmer is enabled, the programmer will perform a read of the PLL device internal registers. The 40 bytes of data obtained will be written into the PLL read FIFO as ten long-words. When this bit is zero and the PLL programmer is enabled, the programmer will write data into the PLL device or simply check for a response to the selected ID value depending on the PLL Check ID control bit.

PLL Check ID: When this bit is set to a one and the PLL programmer is enabled, the programmer will begin a write operation, but will stop after the device ID has been sent. If the ID was acknowledged successfully, the done status will be set and the error status will be cleared. If the ID was not acknowledged successfully, the done status will be cleared and the error status will be set. When this bit is zero and the PLL programmer is enabled, the PLL programmer will perform a write or read operation depending on the PLL Read Enable control bit.

PLL Use Alternate ID: When this bit is set to a one, the device ID sent will be the alternate ID: 0x6A. When this bit is zero, the normal ID: 0x69 will be sent to the PLL device.

PHLNK_BASE_USER_INFO

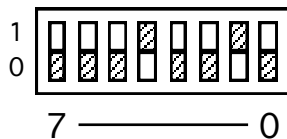
[0x004] Base User Info – (read only)

User Info Port	
Data Bit	Description
31-24	FPGA Design Revision Major
23-16	FPGA Design Revision Minor
15-8	PCI Core Revision
7-0	User ID Switch

FIGURE 5

PCIE-HOTLINK BASE STATUS PORT

User ID Switch: The user switch is read through this port. The bits are read as the lowest byte. Access the read-only port as a long word and mask off the undefined bits. The dip-switch positions are defined in the silkscreen. For example, the switch figure below indicates a 0x12.



PCI Core Revision: This is the revision that was entered when the core was created, and is the value that is reported to the operating system. Currently this value is 0x00.

FPGA Design Revision Major.Minor: The Major and Minor revisions are used to track VHDL design changes. Minor revisions changed to track changes through development and for minor updates. Major when important new features are added.

Flash Revision Table

Initial Release : 1p1 5/19/22

PHLNK_BASE_INT_STATUS

[0x008] Base Interrupt Status – (read only)

Base Interrupt Status Register	
Data Bit	Description
31-19	Spare
18	PLL Error
17	PLL Done
16	PLL Ready
15	Spare
14	PLL Read FIFO Data Valid
13	PLL Read FIFO Full
12	PLL Read FIFO Empty
11	Spare
10	PLL Write FIFO Data Valid
9	PLL Write FIFO Full
8	PLL Write FIFO Empty
7-1	Spare
0	Channel Interrupt Active

FIGURE 6

PCIE-HOTLINK BASE STATUS PORT

Channel Interrupt Active: This bit indicates the SMB port interrupt is active. When a one is read, it indicates that the corresponding channel has requested an interrupt; when a zero is read, that channel's interrupt is not active. The Base Level Master Interrupt Enable is ANDed with this bit to create the interrupt request. This bit can be polled if the Master is disabled.

PLL Write/Read FIFO Empty: When a one is read, it indicates that the corresponding FIFO contains no data; when a zero is read, there is at least one word in the FIFO. Although the FIFO is empty, there may still be one valid data word in the pipeline. The FIFO data valid bit indicates whether this is the case.

PLL Write/Read FIFO Full: When a one is read, it indicates that the corresponding FIFO is full; when a zero is read, there is room for at least one word in the FIFO.

PLL Write/Read FIFO Data Valid: When a one is read, there is valid data available; when a zero is read, there is no valid data available.

PLL Ready: When a one is read, the PLL programmer is idle and ready to accept a new command; when a zero is read, the programmer is actively sending data or reading data to/from the PLL device.

PLL Done: When a one is read, the programmer has successfully completed an input or output request; when a zero is read, this is not the case. This bit is latched and must be cleared by writing the PLL done bit back to this register.

PLL Error: When a one is read, an error occurred while processing a read or write request; when a zero is read, no error occurred. This bit is latched and must be cleared by writing the PLL error bit back to this register.

PHLNK_BASE_PLL_FIFO

[0x00C] PLL Output FIFO Write/ PLL Input FIFO Read

PLL Output/Input FIFO Ports	
Data Bit	Description
31-0	FIFO data word

FIGURE 7

PCIE-HOTLINK BASE PLL FIFO PORT

Writes to this port load PLL programming data into the PLL TX FIFO. This data is used to configure the PLL device. Reads from this port return data from the PLL RX FIFO. This data is the PLL device's internal register data that was read by the PLL programmer. Both FIFOs are 32 words deep and 32 bits wide.

PHLNK_BASE_CNT_CNTRL

[0x010] Counter Control (read/write)

Trigger Counter Control Register	
Data Bit	Description
31-4	Spare
3	Start Immediately
2	Continuous Enable
1	End Count Clear Enable
0	Trigger Counter Enable

FIGURE 8

PCIE-HOTLINK COUNTER CONTROL REGISTER

Trigger Counter Enable: When this bit is set to a one, the counter will begin counting. If the Start Clear Enable bit is a one, the counter will start counting from zero, otherwise the Start Count will be loaded. When this bit is zero, the counter is disabled.

End Count Clear Enable: When this bit is set to a one, the counter will be set to zero when the End Count is reached. When this bit is zero, the Start Count will be loaded into the counter when the End Count is reached.

Continuous Enable: When this bit is set to a one, the counter will continue to count and generate triggers after a trigger has been generated. When this bit is zero, the counter will cease counting after a trigger has been generated.

Start Immediately: When this bit is set to a one and the Trigger Counter Enable is zero, a single trigger will be sent at once. When this bit is zero, triggers will only be generated by the Trigger Counter mechanism.

PHLNK_BASE_START/TRIGGER/END_COUNT

[0x014, 0x018, 0x01C] Trigger Counter Counts (read/write)

Counter Control Count Registers	
Data Bit	Description
31-20	Spare
19-0	Count

FIGURE 9

PCIE-HOTLINK BASE COUNT REGISTERS

These three 20-bit registers hold the Start Count, Trigger Count and End Count respectively. These counts are used to specify the timing behavior of the trigger counter circuit.

The frame counter is referenced to the PLLA clock. The Frame Counter loads the Start Count, counts up and is compared to the end count. While counting from start to end the count is compared against the trigger value to generate triggers. The rate of triggering can be adjusted based on the range of the start and end counts. The offset to the initial trigger can be adjusted based on the difference in the start count and the trigger count.

If the trigger is not between start and end count definitions the trigger will not happen.

PHLNK_BASE_CNTL

[0x020] Base Control (read/write)

Base Control Register	
Data Bit	Description
31-1	Spare
0	Master Interrupt Enable

FIGURE 10

PCIE-HOTLINK BASE MASTER INTERRUPT

The Master Interrupt enable must be set to convert potential interrupt conditions into interrupt requests to the system. When cleared '0' interrupts are not created allowing the status associated with the interrupt request to be used in a polled manner.

PHLNK_CHAN_CNTRL

[0x050] Channel Control (read/write)

Channel Control Register	
Data Bit	Description
31	Group Start Enable
30	Suppress Stop Sequence
29	RX Frame Done Interrupt Enable
28	TX Frame Done Interrupt Enable
27	Receiver Start Mode
26	Transmitter Select
25	I/O Multiplexor Enable
24	Transmitter Send Frame
23	Send Frame Auto-Clear Enable
22-21	Receiver Storage Mode
20	Receiver Reframe Enable
19	Receiver BIT Enable
18	Receiver A Input Select
17	Transmitter Load Enable
16	Transmitter Output Enable
15	Transmitter BIT Enable
14	Receiver Enable
13	Transmitter Enable
12	Transmit Mode Select
11	Read DMA Arbitration Priority Enable
10	Write DMA Arbitration Priority Enable
9	Read DMA Interrupt Enable
8	Write DMA Interrupt Enable
7	RX FIFO Overflow Interrupt Enable
6	RX FIFO Almost Full Interrupt Enable
5	TX FIFO Almost Empty Interrupt Enable
4	Force Interrupt
3	Spare
2	FIFO Data Loop-Back Test Enable
1	Receive FIFO Reset
0	Transmit FIFO Reset

FIGURE 11

PCIE-HOTLINK CHANNEL CONTROL REGISTER

All bits are active high and are reset on system power-up or reset. If an external control or status bit is active low, it is inverted from the value in this register.

Transmit / Receive FIFO Reset: When one or both of these bits are set to a one, the corresponding data FIFO and control and status circuitry will be reset. When these bits are zero, normal FIFO operation is enabled. FIFO resets are synchronous, referenced to the PCI clock.

FIFO Data Loop-Back Test Enable: When this bit is set to a one, any data written to the transmit FIFO will be immediately transferred to the receive FIFO. This allows for fully testing the data FIFOs without sending data through the HOTLink interface. When this bit is zero, normal FIFO operation is enabled.

Force Interrupt: When this bit is set to a one a system interrupt will occur provided the channel master interrupt enable is set. This is useful to test interrupt service routines.

TX FIFO Almost Empty Interrupt Enable: When this bit is set to a one, an interrupt will be generated when the transmit FIFO level is equal or less than the value specified in the PHLNK_CHAN_TX_AMT register, provided the channel master interrupt enable is asserted. When this bit is zero, an interrupt will not be generated, but the status can still be read from the channel status register.

RX FIFO Almost Full Interrupt Enable: When this bit is set to a one, an interrupt will be generated when the receive FIFO level is equal or greater to the value specified in the PHLNK_CHAN_RX_AFL register, provided the channel master interrupt enable is asserted. When this bit is zero, an interrupt will not be generated, but the status can still be read from the channel status register.

RX FIFO Overflow Interrupt Enable: When this bit is set to a one, an interrupt will be generated when an attempt is made to write to a full receive FIFO, provided the channel master interrupt enable is asserted. When a zero is written to this bit, an interrupt will not be generated when an overflow condition occurs, but the latched status can still be read from the channel status register.

Write / Read DMA Interrupt Enable: These two bits, when set to one, enable the DMA arbiter to use the TX almost empty and/or RX almost full status to give priority to a channel that is approaching the limits of its FIFOs. The levels written to the TX almost empty and RX almost full registers are used to determine these status values. When these bits are zero normal round-robin arbitration is used to determine access to the PCI bus for DMA transfers.

Transmit Mode Select: This bit, when set to one and the Group Start Enable is zero, enables transmitter data streaming mode operation. In this mode the transmit state-machine, if enabled, will read the transmit FIFO and send only data bytes until the transmit byte-count is reached. Each data-frame starts with the programmable start sequence and ends with the stop sequence. When this bit is zero, the transmit state-machine, when enabled, simulates the target system operation by sending 128 lines of 128 16-bit pixels followed by 96 NULL bytes each as described in the Theory or Operation section above. See the Group Start description for more information.

Transmitter Enable: This bit, when set to one, enables the HOTLink transmitter state-machine. The behavior of the transmitter depends on the state of the Test Mode bit described above, whether there is data in the FIFO and whether the Send Frame control bit is set. When this bit is zero, the transmitter state-machine is disabled.

Receiver Enable: This bit, when set to one, enables the HOTLink receiver state-machine. The receiver will start storing data when either the specified start sequence is detected, or immediately if the receiver start mode is set to a one. The format of the stored data depends on the receive storage mode field described below. When this bit is zero, the receiver state-machine is disabled.

Transmitter BIT Enable: This bit, when set to one, enables the HOTLink transmitter Built-In-Test mode. When this bit is zero, Built-In-Test mode is disabled.

Transmitter Output Enable: This bit, when set to one, enables the external output of the HOTLink transmitter. When this bit is zero, only the internal output, which is always on, is enabled.

Transmitter Load Enable: When the Built-In-Test mode is enabled, setting this bit to a one starts the test sequence. This bit is zero in normal operation.

Receiver A Input Select: This bit, when set to one, selects input A of the HOTLink receiver. This input is driven by the transformer-coupled external input. When this bit is zero, input B is selected. This input is driven by the internal signal coming from the channel's HOTLink transmitter output C.

Receiver BIT Enable: This bit, when set to one, enables the HOTLink receiver Built-In-Test mode. When this bit is zero, Built-In-Test mode is disabled.

Receiver Reframe Enable: This bit, when set to one, asserts the HOTLink RF (reframe) control line. This causes the HOTLink receiver chip to search for a comma character to align the serial bit-stream to a byte boundary. When this bit is zero, the RF control signal to the HOTLink receiver chip will not be asserted.

Receive Storage Mode: This two-bit field controls which received characters are stored

in the receive FIFO and how the FIFO word is formatted. When this field is set to "01", only data characters will be stored using eight bits per character and each FIFO word will contain four data-bytes; when this field is set to "00", ten bits will be used to represent a character, all control and data characters will be stored and each FIFO word will contain three characters in bits 0-9, 10-19 and 20-29. Bits 30 and 31 are unused and set to zeros. When this field is set to "10", all data characters will be stored, but a control character will only be stored if it differs from the previous character received. Again, ten bits are used to represent a character and each FIFO word will contain three characters.

Send Frame Auto-Clear Enable: When this bit is set to a one, the Transmitter send frame control bit will be automatically cleared when the frame completes. When this bit is zero, the send frame bit must be explicitly cleared.

Transmitter Send Frame: When this bit is set to a one, the transmitter will begin to send data-frames if the FIFO contains data. When this bit is zero, no frames will be sent.

I/O Multiplexor Enable: When this bit is set to a one, the two-to-one multiplexor is enabled. This multiplexor selects between the transmitter output and the receiver input. When this bit is zero, the I/O multiplexor is not enabled. This bit has no effect on channels 4 and 5.

Transmitter Select: When this bit is set to a one and the I/O multiplexor is enabled, the transmitter output is selected. When this bit is zero and the I/O multiplexor is enabled, the receiver input is selected. This bit has no effect on channels 4 and 5.

Receiver Start Mode: When this bit is set to a one, the receiver state-machine will immediately begin receiving and storing input data to the receive FIFO without waiting for a matching start-sequence. When this bit is zero, the receiver state-machine waits until received data matches the designated start-sequence before acquiring data.

TX/RX Frame Done Interrupt Enable: When one of these bits is set to a one, an interrupt will be generated when a transmit/receive frame completes. When this bit is zero, an interrupt will not be generated when a frame completes, but the status can still be read from the channel status register.

Suppress Stop Sequence: When this bit is set to a one, the stop sequence will not be sent when the end of a frame is reached. When this bit is zero, the normal stop sequence will be sent when the end of a frame is reached.

Group Start Enable: When this bit is set to a one, the transmitter will wait for a trigger from the base trigger control counter to initiate a transmission. This allows selected channels to transmit concurrently. If the Transmit Mode Select bit is also one, the transmitter will wait for a trigger for all successive frames as well. If that bit is zero, only

the first frame is synchronized and local controls determine when successive frames are sent. When this bit is zero the Group Start feature will be disabled for this channel.

PHLNK_CHAN_STATUS

[0x054] Channel Status Read/Latch Clear Write

Channel Status Register	
Data Bit	Description
31	Channel Interrupt Active
30	User Interrupt Active
29-28	Transmit I/O Data Valid
27	Transmit FIFO Data Valid
26	Aux FIFO Full
25	Aux FIFO Almost Full
24	Aux FIFO Empty
23	Receiver I/O FIFO Full
22	Receiver Running
21	Receive Frame Done (latched)
20	Transmit Frame Done (latched)
19	Transmit Data Read (latched)
18	Receive Data Ready (latched)
17	Read DMA Ready (Idle)
16	Write DMA Ready (Idle)
15	Read DMA Error (latched)
14	Write DMA Error (latched)
13	Read DMA Complete (latched)
12	Write DMA Complete (latched)
11	Receive Symbol Error (latched)
10	Receive FIFO Overflow (latched)
9	Receive FIFO Almost Full (latched)
8	Transmit FIFO Almost Empty (latched)
7	Receive Data Valid
6	Receive FIFO Full
5	Receive FIFO Almost Full
4	Receive FIFO Empty
3	Transmit Data Valid
2	Transmit FIFO Full
1	Transmit FIFO Almost Empty
0	Transmit FIFO Empty

FIGURE 12

PCIE-HOTLINK CHANNEL STATUS REGISTER

Transmit FIFO Empty: When a one is read, the transmit data FIFO contains no data; when a zero is read, there is at least one data-word in the FIFO.

Transmit FIFO Almost Empty: When a one is read, the number of data-words in the transmit data FIFO is less than or equal to the value written to the PHLNK_CHAN_TX_AMT register; when a zero is read, the level is more than that value.

Transmit FIFO Full: When a one is read, the transmit data FIFO is full; when a zero is read, there is room for at least one more data-word in the FIFO.

Transmit Data Valid: When a one is read, there is at least one valid transmit data word left. This bit can be set even if the transmit FIFO is empty, because there is a one-word pipeline after the FIFO output to feed the transmit I/O or FIFO bypass path. When this bit is a zero, it indicates that there is no more valid transmit data.

Receive FIFO Empty: When a one is read, the receive data FIFO contains no data; when a zero is read, there is at least one data-word in the FIFO.

Receive FIFO Almost Full: When a one is read, the number of data-words in the receive data FIFO is greater or equal to the value written to the PHLNK_CHAN_RX_AFL register; when a zero is read, the level is less than that value.

Receive FIFO Full: When a one is read, the receive data FIFO for the channel is full; when a zero is read, there is room for at least one more data-word in the FIFO.

Receive Data Valid: When a one is read, there is at least one valid receive data word left. This bit can be set even if the receive FIFO status reports empty, because there is a four-word pipeline after the FIFO output to facilitate a PCI read DMA. When this bit is a zero, it indicates that there is no more valid receive data.

Transmit FIFO Almost Empty (latched): When a one is read, it indicates that the transmit FIFO data count has become less than or equal to the value in the PHLNK_CHAN_TX_AMT register. A zero indicates that the FIFO has not become almost empty. This bit is latched and can be cleared by writing back to the Status register with a one in this bit position.

Receive FIFO Almost Full (latched): When a one is read, it indicates that the receive FIFO data count has become greater than or equal to the value in the PHLNK_CHAN_RX_AFL register. A zero indicates that the FIFO has not become almost full. This bit is latched and can be cleared by writing back to the Status register with a one in this bit position.

Receive FIFO Overflow (latched): When a one is read, it indicates that an attempt has been made to write data to a full receive data FIFO. A zero indicates that no overflow condition has occurred. This bit is latched and can be cleared by writing back to the Status register with a one in this bit position.

Receive Symbol Error: This is a latched version of the RVS (Received Violation Symbol) signal from the channel's HOTLink receiver. This bit is intended to be used for Built-In-Test operation as it indicates an error during the test sequence. This bit is latched and must be cleared by writing the same bit back to the channel status port.

Write/Read DMA Complete: When a one is read, it indicates that a corresponding DMA descriptor list has completed. These bits are latched and must be cleared by writing the same bit back to this channel status port. A zero indicates that a corresponding DMA descriptor list has not completed since the bit was last cleared.

Write/Read DMA Error: When a one is read, it indicates that an error has occurred while the corresponding DMA was in progress. This could be a target or master abort or an incorrect direction bit in one of the DMA descriptors. These bits are latched and must be cleared by writing the same bit back to the channel status port. A zero indicates that no DMA error has occurred.

Write/Read DMA ready (Idle): These two bits report the DMA state-machine status. If a one is read, the corresponding DMA state-machine is idle and available to start a transfer. If a zero is read, the corresponding DMA state-machine is already processing a data transfer.

Receive Data Ready: This is a latched version of the ready signal from the channel's HOTLink receiver. This bit is intended to be used for Built-In-Test operation as the ready signal will pulse once per test loop, so polling this bit will indicate the completion of the receive test sequence. This bit is latched and must be cleared by writing the same bit back to the channel status port.

Transmit Data Read: This is a latched version of the data read signal from the channel's HOTLink transmitter. Similarly to the ready bit above, this bit is intended to be used for Built-In-Test operation as the data read signal will pulse once per test loop, so polling this bit will indicate the completion of the transmit test sequence. This bit is latched and must be cleared by writing the same bit back to the channel status port.

Transmit Frame Done: When a one is read, it indicates that the transmitter has completed a requested transfer. This bit is latched and must be cleared by writing the same bit back to the channel status port. A zero indicates that the transmitter has either not completed a requested transfer or no transfer was initiated.

Receive Frame Done: When a one is read, it indicates that the receiver has detected a valid stop sequence while in the run state. If a zero byte stop sequence is requested, the receiver uses the byte-count to determine when the frame is done. This bit is latched and must be cleared by writing the same bit back to the channel status port. A zero indicates that the receiver has either not completed a requested transfer or a transfer was not initiated.

Receiver Running: When a one is read, it indicates that the receiver is actively processing an I/O frame. A zero indicates that the receiver is either idle, waiting for the start sequence or the receiver start mode is set to a one (causes the receiver to start storing characters immediately without waiting for a start sequence).

Receiver I/O FIFO Full: When a one is read, it indicates that the 10-bit wide receiver sample FIFO is full. A zero indicates that this FIFO is not full.

Transmit FIFO Data Valid: When a one is read, it indicates that there is valid data at the output of the transmit data FIFO. A zero indicates that there is not valid data at the output of the transmit data FIFO.

Transmit I/O Data Valid: This two-bit field indicates the number of transmit data-words that are in process in the transmit data state-machine. This field can have a value of zero, one, or two data-words.

User Interrupt Active: When a one is read, it indicates that an enabled user interrupt condition (other than the DMA interrupts) is active for the channel. A zero indicates that no enabled interrupt condition is active.

Channel Interrupt Active: When a one is read, it indicates that the interrupt is active for the channel. A zero indicates that the channel interrupt is not active.

PHLNK_CHAN_FIFO

[0x058] TX FIFO Write/RX FIFO Read

RX and TX FIFO Ports	
Data Bit	Description
31-0	FIFO data word

FIGURE 13

PCIE-HOTLINK CHANNEL RX/TX FIFO PORT

These ports are used to make single-word accesses into the channel transmit FIFO and out of the channel receive FIFO.

PHLNK_CHAN_WR_DMA_PNTR

[0x05C] Input DMA Control (write only)

Input DMA Pointer Address Port	
Data Bit	Description
31-0	First Chaining Descriptor Physical Address

FIGURE 14 PCIE-HOTLINK CHANNEL WRITE DMA POINTER PORT

This write-only port is used to initiate a scatter-gather input DMA. When the address of the first chaining descriptor is written to this port, the DMA engine reads three successive long words beginning at that address. The first is the address of the first memory block of the DMA buffer, the second is the length in bytes of that block and the third is the address of the next chaining descriptor in the list of buffer memory blocks. This process is continued until the end-of-chain bit is set in one of the next pointer values. Writing a zero to this port will abort a write DMA in progress.

PHLNK_CHAN_TX_FIFO_COUNT

[0x05C] TX FIFO Word Count (read only)

TX FIFO Data Count	
Data Bit	Description
31-0	TX data words stored

FIGURE 15 PCIE-HOTLINK CHANNEL TX FIFO DATA COUNT PORT

These read-only register ports report the number of 32-bit data words in the corresponding transmit FIFO. There is a 16-word auxiliary FIFO and three additional latches in the transmit data path that may contain data if enabled, which allows this value to be a maximum of 0x10013.

PHLNK_CHAN_RD_DMA_PNTR

[0x060] Output DMA Control (write only)

Output DMA Pointer Address Port	
Data Bit	Description
31-0	First Chaining Descriptor Physical Address

FIGURE 16 PCIE-HOTLINK CHANNEL READ DMA POINTER PORT

This write-only port is used to initiate a scatter-gather output DMA. When the address of the first chaining descriptor is written to this port, the DMA engine reads three successive long words beginning at that address. The first is the address of the first memory block of the DMA buffer, the second is the length in bytes of that block and the third is the address of the next chaining descriptor in the list of buffer memory blocks. This process is continued until the end-of-chain bit is set in one of the next pointer values. Writing a zero to this port will abort a read DMA in progress.

PHLNK_CHAN_RX_FIFO_COUNT

[0x060] RX FIFO Word Count (read only)

RX FIFO Data Count	
Data Bit	Description
31-0	RX data words stored

FIGURE 17 PCIE-HOTLINK CHANNEL RX FIFO DATA COUNT PORT

These read-only register ports report the number of 32-bit data words in the corresponding receive FIFO. There are four additional latches in the read DMA pipeline that may contain data, which allows this value to be a maximum of 0x10004.

PHLNK_CHAN_TX_AMT

[0x064] TX FIFO Almost Empty Level (read/write)

TX FIFO Almost Empty Level Register	
Data Bit	Description
31-20	Spare
19-0	TX FIFO almost empty level

FIGURE 18 PCIE-HOTLINK CHANNEL TX FIFO AMT LEVEL REGISTER

These read/write ports access the transmitter almost-empty level registers for the channel. When the number of data words in the transmit data FIFO is less than this value, the almost empty status bit is set and an interrupt may be generated if it is enabled.

PHLNK_CHAN_RX_AFL

[0x068] RX FIFO Almost Full Level (read/write)

RX FIFO Almost Full Level Register	
Data Bit	Description
31-20	Spare
19-0	RX FIFO almost full level

FIGURE 19 PCIE-HOTLINK CHANNEL RX AFL LEVEL REGISTER

These read/write ports access the receiver almost-full level registers for the channel. When the number of data words in the receive data FIFO is greater than this value, the almost full status bit is set and an interrupt may be generated if it is enabled.

PHLNK_CHAN_START_SEQ

[0x06C] Start Sequence (read/write)

Frame Start Sequence Register	
Data Bit	Description
31-30	Sequence Character Count
29	Spare
28	Character 2 Control Character/Data Select
27-20	Character 2 Byte
19	Spare
18	Character 1 Control Character/Data Select
17-10	Character 1 Byte
9	Spare
8	Character 0 Control Character/Data Select
7-0	Character 0 Byte

FIGURE 20 PCIE-HOTLINK CHANNEL START SEQUENCE REGISTER

Start and stop sequences of up to three characters can be specified in this register and the following register. The number of characters to be used is coded in the Sequence Character Count two-bit field. The individual characters are entered in the appropriate character fields. A one in the Control Character/Data Select field indicates a control character, a zero indicates a data character. Character 0 is the first character sent or received, followed by character 1 and 2 as appropriate depending on the character count. If this register is not programmed or is set to all zeros, a two character sequence with K28.5 in character 0 and K28.4 in character 1 will be used.

PHLNK_CHAN_STOP_SEQ

[0x070] Stop Sequence (read/write)

Frame Stop Sequence Register	
Data Bit	Description
31-30	Sequence Character Count
29	Spare
28	Character 2 Control Character/Data Select
27-20	Character 2 Byte
19	Spare
18	Character 1 Control Character/Data Select
17-10	Character 1 Byte
9	Spare
8	Character 0 Control Character/Data Select
7-0	Character 0 Byte

FIGURE 21 PCIE-HOTLINK CHANNEL STOP SEQUENCE REGISTER

If this register is not programmed or is set to all zeros, a two character sequence with K28.4 in character 0 and K28.5 in character 1 will be used.

PHLNK_CHAN_BYTE_COUNT

[0x074] Frame Byte-Count (read/write)

Frame Byte Count Register	
Data Bit	Description
31-24	Spare
23-0	I/O Frame Byte-Count

FIGURE 22 PCIE-HOTLINK CHANNEL BYTE COUNT REGISTER

This register specifies the number of data-bytes to be sent between the start and stop sequence. If the value written is zero, a default value of 0x8000 bytes will be used.

PHLNK_CHAN_FRM_SPCR

[0x078] Inter-Frame Byte-Count (read/write)

Inter-Frame Byte Count Register	
Data Bit	Description
31-24	Spare
23-0	Frame Spacer Byte-Count

FIGURE 23 PCIE-HOTLINK CHANNEL FRAME SPACER COUNT REGISTER

This register specifies the number of Inter-Frame (K28.5) bytes that will be sent between frames. If the value written is zero, a default value of 0x03F will be used.

PHLNK_CHAN_BIP

[0x07C] Burst In Pointer (read)

Inter-Frame Byte Count Register	
Data Bit	Description
31-0	Current Pointer for DMA Burst In

FIGURE 24 PCIE-HOTLINK CHANNEL BURST IN POINTER

The Burst In Counter used to generate / track the DMA operation is presented in this port. When running the pointer can be off by up to 4 locations due to DMA retry activity. When static the count will be correct. Device to Host direction.

PHLNK_CHAN_BOP

[0x080] Burst Out Pointer (read)

Inter-Frame Byte Count Register	
Data Bit	Description
31-0	Current Pointer for DMA Burst Out

FIGURE 25

PCIE-HOTLINK CHANNEL BURST OUT POINTER

The Burst Out Counter used to generate / track the DMA operation is presented in this port. For the Host to Device path the counter is accurate as read. The count is resynchronized to the PCI clock and there are delays for SW to read the count – the count read will track and be behind the actual location until the transfer is completed.

PHLNK_CHAN_Status_II

[0x084] Status Expansion Port(read)

Inter-Frame Byte Count Register	
Data Bit	Description
31-3	Spare
2	IntForce
1	Burst In Idle
0	Burst Out Idle

FIGURE 26

PCIE-HOTLINK CHANNEL STATUS II

When the corresponding bit is set '1' **Burst Out Idle** and/or **Burst In Idle** are not processing DMA transfers. When '0' the DMA is in process. Burst Out is the DMA transfer from Host to Device. Burst In is the DMA transfer from Device to Host. [Read and Write are relative to the host]. Bits described are independent.

IntForce is a copy of the Force Interrupt bit from the control register. Reading a copy from the status port allows the interrupt test activity to look more like processing a standard interrupt – read status, determine source, process rather than checking a control register.

Spare Bits currently return x"A50000" & '0'. The "A5" is just an identifier and maybe changed for additional status in the future.

PHLNK_CHAN_CNTL_B

[0x088] Control Port Expansion (read/write)

Inter-Frame Byte Count Register	
Data Bit	Description
31-1	Spare
0	Master Interrupt Enable

FIGURE 27

PCIE-HOTLINK CHANNEL CONTROL B REGISTER

Master Interrupt Enable: When this bit is set to a one all enabled interrupts for the channel (except the DMA interrupts) will be gated through to the PCI host; when this bit is a zero, the interrupts can be used for status without interrupting the host.

DMA interrupts are enabled separately. See base control register for Port. Also see Master Interrupt Enable at the base level.

SMB Connectors

- J1 HOTLink TX+
- J2 HOTLink TX-

- J3 HOTLink RX+
- J4 HOTLink RX-

For external loop-back interconnect J1-J3 and J2-J4 with matched length SMB cables. TX and RX relative to PCIe4IHOTLinkx5-SMB device.

Applications Guide

Interfacing

Some general interfacing guidelines are presented below. Do not hesitate to contact the factory if you need more assistance.

ESD

Proper ESD handling procedures must be followed when handling the PCIe-HOTLink. The card is shipped in an anti-static, shielded bag. The card should remain in the bag until ready for use. When installing PCIe4IHOTLinkx5 the installer must be properly grounded and the hardware should be on an anti-static workstation.

Start-up

Make sure the "system" can see your hardware before trying to access it. Many BIOS will display the PCI devices found at boot up on a "splash screen" with the VendorID and CardId and an interrupt level. Look quickly, if the information is not available from the BIOS, then a third party PCI device cataloging tool will be helpful. See Device Manager in Windows or LSPCI in Linux etc.

Watch the system grounds

All electrically connected equipment should have a fail-safe common ground that is large enough to handle all current loads without affecting noise immunity. Power supplies and power consuming loads should all have their own ground wires back to a common point.

We provide the components. You provide the system. Only careful planning and practice can achieve safety and reliability. Inputs can be damaged by static discharge, or by applying voltage outside of the device rated voltages.

Construction and Reliability

PCIe Modules while commercial in nature can be conceived and engineered for rugged industrial environments. PCIe4IHOTLinkx5 is constructed out of 0.062-inch thick High Temperature, ROHS compatible FR4 material.

Surface mount components are used. Most devices are high pin count compared to mass of the device. For high vibration environments inductors and other higher mass per joint components can be glued down.

Conformal Coating is an option. For condensing environments conformal coating is required.

ROHS processing is an option. Standard lead solder is used unless “-ROHS” is added to the part number.

Thermal Considerations

The PCIe4IHOTLinkx5 design consists of CMOS circuits. The power dissipation due to internal circuitry is very low. It is possible to create higher power dissipation with the externally connected logic. With the one-degree differential temperature to the solder side of the board, external cooling is easily accomplished.

Warranty and Repair

Please refer to the warranty page on our website for the current warranty offered and options.

<http://www.dyneng.com/warranty.html>

Service Policy

Before returning a product for repair, verify as well as possible that the suspected unit is at fault. Then call the Customer Service Department for a RETURN MATERIAL AUTHORIZATION (RMA) number. Carefully package the unit, in the original shipping carton if this is available, and ship prepaid and insured with the RMA number clearly written on the outside of the package. Include a return address and the telephone number of a technical contact. For out-of-warranty repairs, a purchase order for repair charges must accompany the return. Dynamic Engineering will not be responsible for damages due to improper packaging of returned items. For service on Dynamic Engineering Products not purchased directly from Dynamic Engineering contact your reseller. Products returned to Dynamic Engineering for repair by other than the original customer will be treated as out-of-warranty.

Out of Warranty Repairs

Out of warranty repairs will be billed on a material and labor basis. Customer approval will be obtained before repairing any item if the repair charges will exceed one half of the quantity one list price for that unit. Return transportation and insurance will be billed as part of the repair and is in addition to the minimum charge.

For Service Contact:

Customer Service Department
Dynamic Engineering
150 Dubois Street, Suite B/C
Santa Cruz, CA 95060
831-457-8891
support@dyneng.com



Specifications

Host Interface:	PCIe 4 lane Gen 1
Serial Interfaces:	One HOTLink input and One HOTLink output
TX Bit-rates generated:	160 - 320 MHz for the HOTLink I/O, Frequencies can be varied by reprogramming the PLL
Software Interface:	Control Registers, FIFOs, and Status Ports
Initialization:	Hardware reset forces all registers to 0 except as noted
Access Modes:	LW boundary Space (see memory map)
Wait States:	One for all addresses
Interrupt:	Each channel has an interrupt for TX done, RX done, TX almost empty, RX almost full and RX FIFO overflow. Read and write DMA interrupts are also implemented for each channel.
DMA:	Independent input and output Scatter/Gather DMA Support implemented for each channel
Onboard Options:	All Options are Software Programmable
Interface Options:	SMB connectors on this version. VHDCI and RJ45 additional options on other versions of the design.
Dimensions:	Standard Single PCIe board.
Construction:	FR4 Multi-Layer Printed Circuit, Surface-Mount Components
Power:	12V and 3.3V from PCIe connector used to supply all internal voltages. DC/DC power supplies built in.

Order Information

PCIe4IHOTLinkx5-SMB

<https://www.dyneng.com/PCIe4IHOTLinkx5.html>
SMB connector version with one 256Kbyte FIFO per port (Tx & Rx separate for full duplex operation). Multiple Tx and Rx modes of operation, storage options, programmable frequency.

-ROHS

Switch to ROHS processing. Standard is leaded.

Current SW support with Win10 driver and reference SW package.

All information provided is Copyright Dynamic Engineering