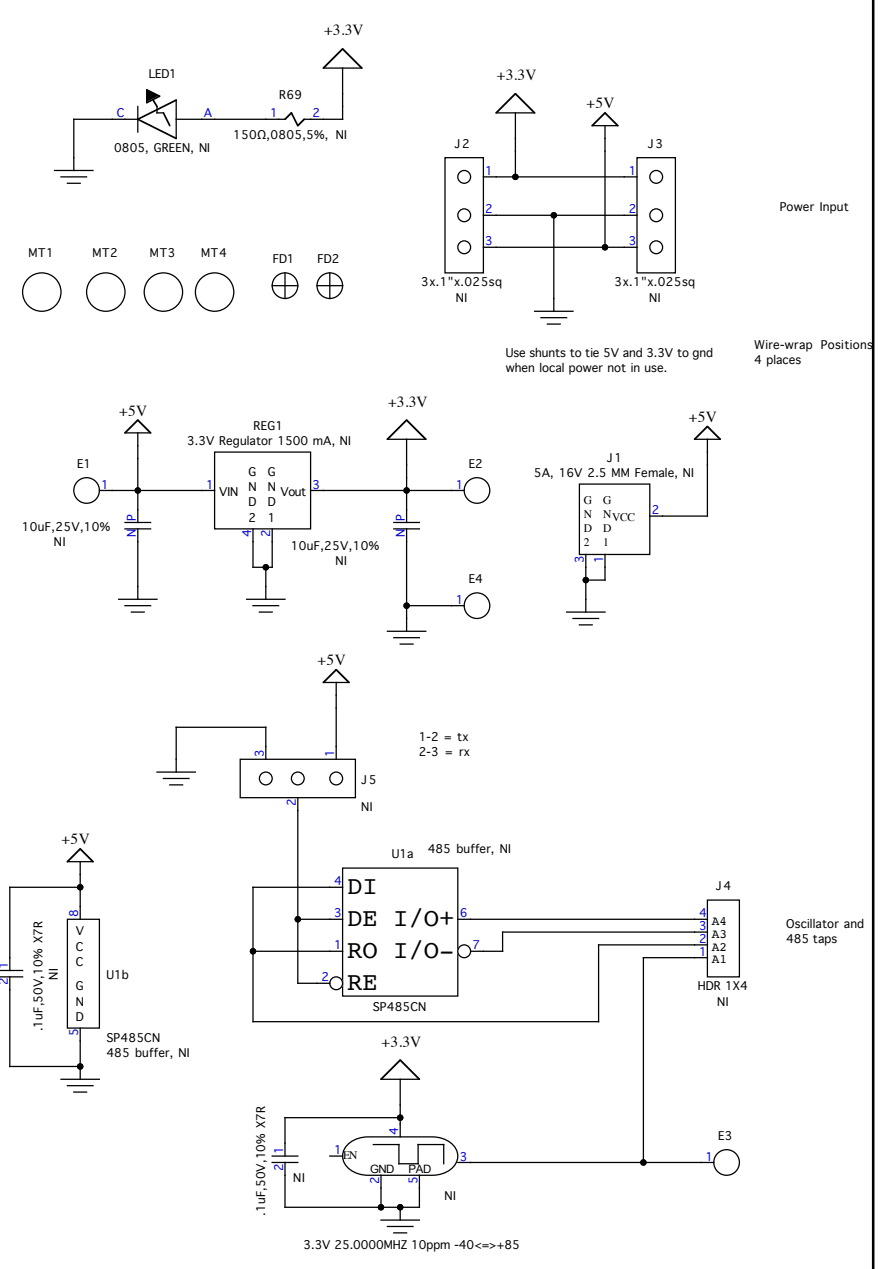


P1 is connected to P1 via resistors [R1-68] to allow series or parallel terminations
 P1 is connected to TP2 & TB1 via resistors [R70-137] to allow straight through signaling
 P1 is connected to P2 when R70-205 are installed or with wire wrap between headers.
 If R's not installed then TP1 wire-wrapped to TP2 to add second connector and Terminal Block
 Traces routed from IN to TP to TB to OUT with differential pairs based on SCSI standard

Please note that the installation of components will void the warranty on this product.
 Resistors are paired by cable wire pair to allow parallel and series termination options.
 All resistors are 0402 packages. "resistors" can be capacitors etc.
 The wire-wrap posts allow interconnection [loop-back] of signals and other termination styles.
 Dynamic Engineering offers an assembly service for those who wish to keep the warranty in effect.
 Please e-mail your requirements to sales@dyneng.com

10-2015-2401
 RevA, 10/27/15: Ported from HDterm68 as new full featured version, updated to 0402's etc.



150 DuBois St. Suite C
 Santa Cruz, CA 95060
 831-457-8891
 www.dyneng.com

Design: HDterm68-ENG_revA.cct
Sheet: _____
Engineer: Keith Leisses
Created: 11/30/15:45 PM
Modified: 12/3/15 3:32 PM
Printed: 12/3/15 3:32 PM
Sheet 1 of 1

NOTICE: This document contains proprietary information of Dynamic Engineering and is not to be copied or distributed without the written consent of an officer of Dynamic Engineering. The receipt or possession of this document does not convey any rights to reproduce it, disclose its contents, or to manufacture, use, or sell anything incorporating the concepts and details disclosed by it. Such concepts and details are not to be used other than for the benefit of Dynamic Engineering.

A

A